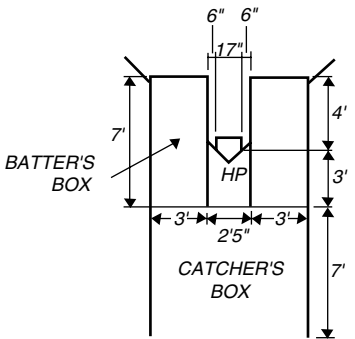
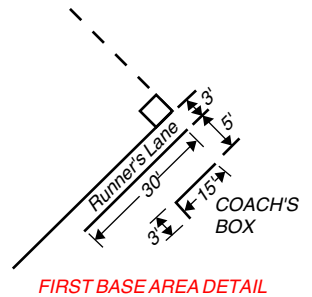
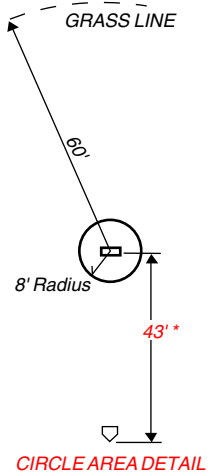
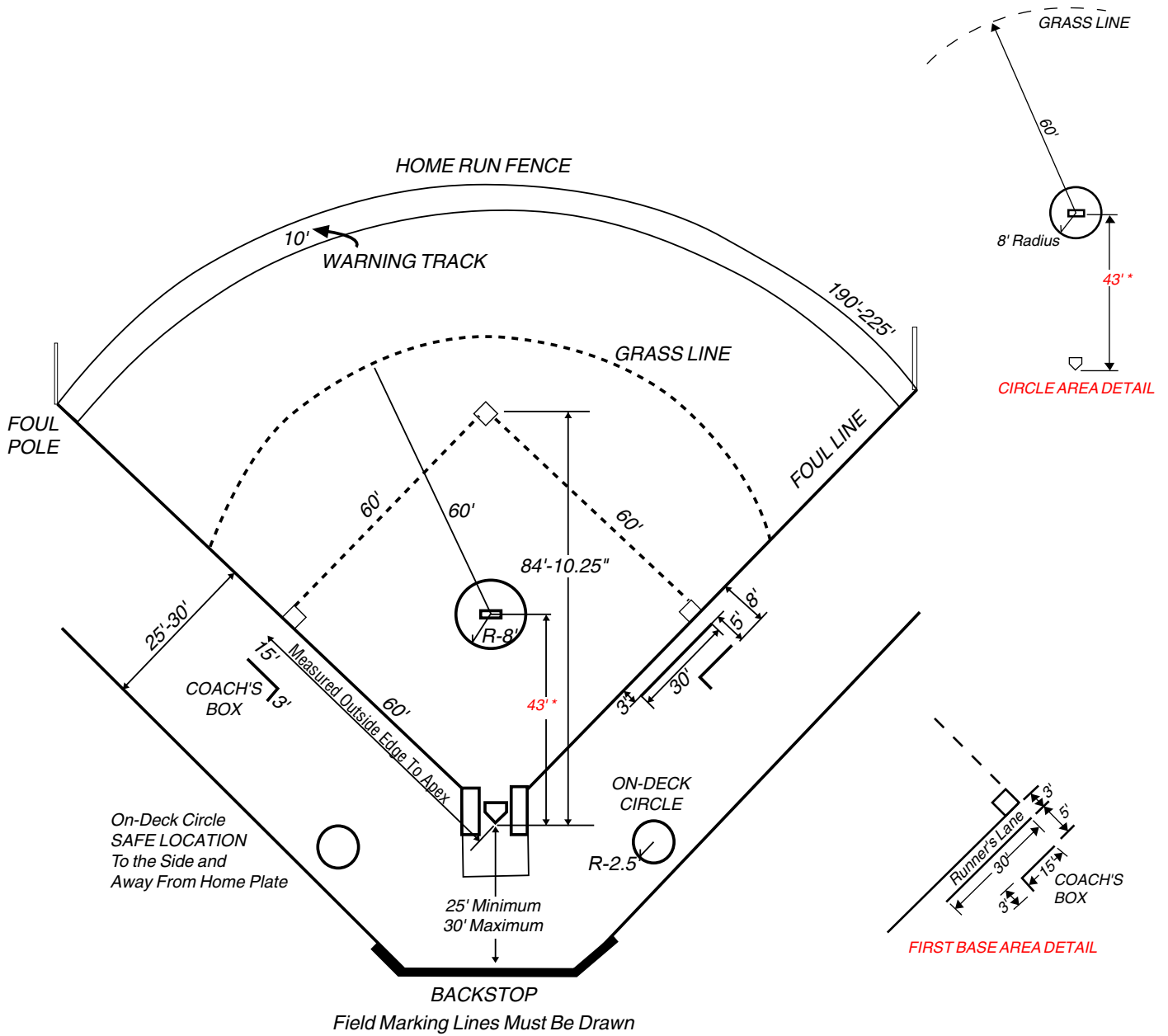


# Fast Pitch Softball Field Dimensions

Field Dimensions & Diagram for Field Layout Measurements



- R.G.S.A. Pitchers Mound Distances:**  
 6U = 35'  
 8U = 35'  
 10U = 35'  
 12U = 40'  
 14U = 43'

*\*for high school fast pitch softball the distance between the pitchers mound and home plate is 43'.*

